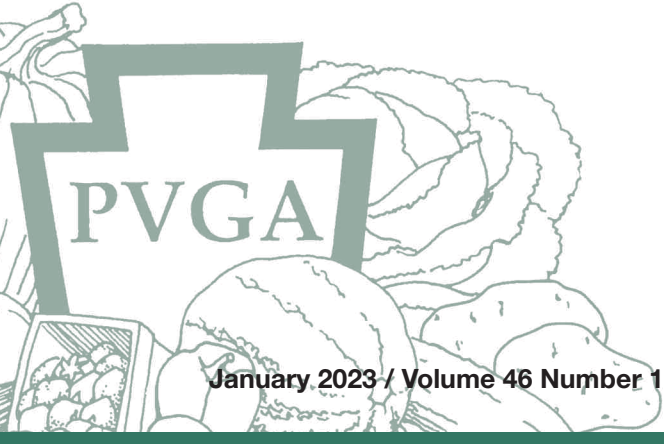


PENNSYLVANIA
VEGETABLE GROWERS

NEWS



January 2023 / Volume 46 Number 1

for the commercial vegetable, potato and berry grower



2023 Buyers' Guide



GENERAL



*Pennsylvania
Vegetable Growers
Association*

*An association of
commercial vegetable,
potato and berry growers.*

President

Rita Resick '26
Somerset

First Vice President

Peter Flynn '24
West Chester

Second Vice President

Tina Forry '25
Palmyra

Secretary-Treasurer

William Reynolds '25
Waynesboro

Past President

Brian Campbell '24
Berwick

Directors

Christopher Harner '26
State College

Barron Hetherington '25
Ringtown

Alan Kemmerer '25
Berwick

Arthur King '24
Valencia

Amy Metrick '24
Butler

Michael Orzolek '24
State College

James Riff '26
Leola

John Shenk '26
Lititz

Robert Shenot '25
Wexford

Jeffrey Stoltzfus '26
Atglen

Jonathan Strite '25
Harrisburg

Mark Troyer '24
Waterford

Joel Weaver '26
Windber

Executive Director
William Troxell
Richfield

Dear Pennsylvania Grower

This special edition of the Pennsylvania Vegetable Growers News, the monthly newsletter of the Pennsylvania Vegetable Growers Association, has been prepared as a source book of information for you, the Pennsylvania grower. We have listed various vendors of equipment, supplies and services who deal with Pennsylvania growers. Keep this booklet handy to refer to throughout the year.

We also ask you to consider joining the Pennsylvania Vegetable Growers Association. If you are a vegetable, potato or berry grower, you should belong to the organization that represents your industry. Founded in 1926, PVGA has been serving growers like you for the past 96 years. Your membership will strengthen the Association's position as the official voice of the vegetable, potato and berry industries and will also provide numerous benefits to you.

For example, each year the Association co-sponsors the Mid-Atlantic Fruit and Vegetable Convention in Hershey. This year's Mid-Atlantic Convention was held January 31 to February 2 and was designed to continue the tradition of providing several days of concurrent educational sessions on processing vegetables, fresh market vegetables, potatoes, small fruits, direct marketing, organic vegetables and, for the first time, urban agriculture. The Mid-Atlantic Convention has become one of the premier grower meetings in the northeast and beyond. As a member of the Association, you help make this convention possible. PVGA also sponsors regional grower meetings and farm market tours. We plan to begin our own series of on-farm grower meetings this summer.

As a member, you will receive monthly subscriptions to this newsletter, the Pennsylvania Vegetable Grower News, to keep you informed on what is happening in the vegetable, potato and berry industries. PVGA members also receive free subscriptions to the American Vegetable Grower and the Vegetable Growers News.

The Association plans to contribute over \$50 per member to vegetable and small fruit research in 2023. Over the past 34 years, PVGA has given over \$1.35 million to research. This has been made possible from profits of the Association's food booth at the Pennsylvania Farm Show and from Convention profits. The food booth also helps to promote the vegetable and berry products you produce.

PVGA represents the interests of the vegetable, potato and berry industries on both state and federal issues. The Association contacts legislators regularly on issues that affect our growers. Special attention is given to food safety, state budget appropriations, labor, deer crop damage, irrigation (water use), high tunnels, and pesticides as they relate to horticultural growers.

The Association is also a member of the State Council of Farm Organizations, the International Fresh Produce Association and the Penn State Agricultural Council, again with the purpose of representing Pennsylvania vegetable, potato and berry industries in the public arena and to Penn State University researchers and administrators.

The bottom line is this. A \$75 membership in the Pennsylvania Vegetable Growers Association is worth every penny. For each member, about \$50 is given to research and about \$30 is spent to publish the Pennsylvania Vegetable Growers News. Members also receive subscriptions to the American Vegetable Grower magazine and the Vegetable Growers News.

If you are not currently a PVGA member, we urge you to support the Association that represents your livelihood by joining today. Join your fellow growers in working together to benefit the entire grower community in providing educational events and resources, funding practical research, advocating for our industry and promoting our products. **Right now we have a special offer if you have never been a PVGA member – join for 2023 and we will give you a FREE membership for 2024!**

Use the form on page 30 of this newsletter to join today!

*The **Pennsylvania Vegetable Growers News** is the official monthly publication of the
Pennsylvania Vegetable Growers Association, Inc.,
815 Middle Road, Richfield, PA 17086-9205
Phone and fax: 717-694-3596 • Email: pvga@pvga.org • Website: www.pvga.org*

Our Mission:

The Pennsylvania Vegetable Growers Association serves Pennsylvania's commercial vegetable, potato and berry growers through education, research, advocacy and promotion.

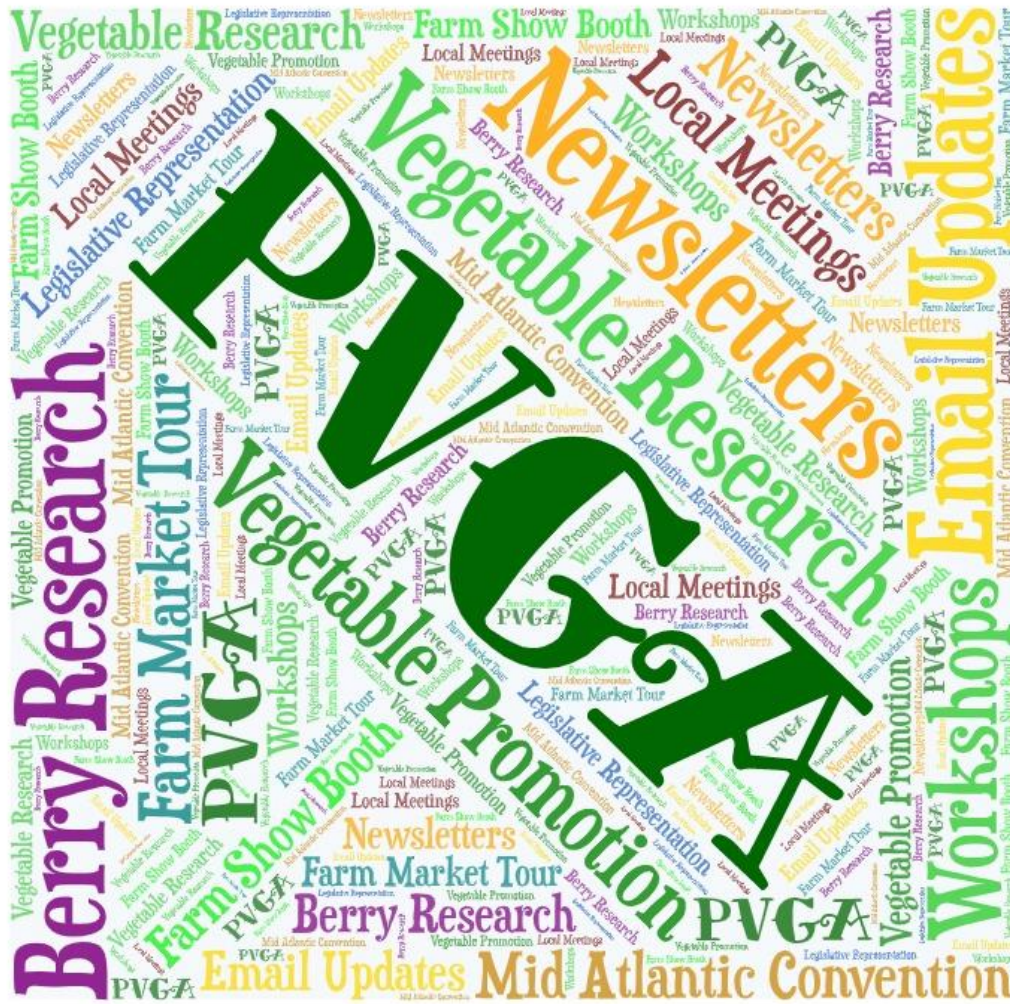
Our Vision:

The Pennsylvania Vegetable Growers Association will be the driving force in ensuring the future viability of the commercial vegetable, potato and berry industries in Pennsylvania.

Inquiries about membership, this publication or advertising rates should be directed to William Troxell, Executive Director, at the above address.

Growers Working Together to Benefit Growers is the reason PVGA exists.

BOGO OFFER: If you have never been a PVGA member, join now for 2023 and receive a 2024 Membership free!



Serving Growers for 97 Years

1926



2023

VENDORS BY CATEGORY

Vendors are listed below by category of the equipment, supplies or services they offer. An alphabetical listing of vendors and their addresses begins on page 25.

General Equipment

Tillage and Cultivating Equipment

Hillside Cultivator – 717-626-6194
 I & J Manufacturing – 717-442-9451
 Market Farm Implement – 814-443-1931
 Wes Stauffer Engine and Equipment – 717-738-4215
 Woodhouse, J. S. – 717-938-5100

Bed Shaper Equipment

Market Farm Implement – 814-443-1931
 Nolt's Produce Supplies – 717-656-9764, 661-7069

Fertilizer Application Equipment

Market Farm Implement – 814-443-1931
 Mechanical Transplanter – 800-757-5268




STAND 'N PLANT

SEEDER

Use for...


- Seeds
- Onions
- Garlic



PLANTER

Use for...

- Transplants
- Potatoes
- Bulbs



Easily plant hundreds of seeds or plants per hour into plastic covered or bare ground seed beds.

Stand 'N Plant

95 Rose Road, Saltsburg, PA 15681
 Phone: 724-639-3965 or visit: www.standnplant.com

BCS

THE BEST TILLER ON EARTH
 No Belts • No Chains • No Equal



PRE SEASON SALE

- 18" To 30" Tillers
- Models 7 To 13HP
- Quick Change Handle Positions
- No Time-Limit Warranty on Transmissions
- 50% Higher Tine Speed Than Competition
- Free Quick Hitch w/2+ Attachments On 732 to 853

See the Model 779 Hydro







Also: Flail Mowers • Chipper/Shredder • Wood Splitter • Utility Trailer

WES STAUFFER EQUIPMENT LLC
www.wesstauffer.com 717-738-4215
BCS Dealer For 37 Years!

23 Pleasant Valley Rd., East of Ephrata off Rt. 322 • Mon., Wed. & Thurs., 8-5:30; Tues. & Fri., 8-7; Sat., 8-1



See us for your
weed control needs



Finger Weeder



Rotary Hoe with Shield



**Rotary Hoe with
Walking Beam**

We also carry:

- Cover Crop Rollers
- Non-plugging
- Sickle Bar Mowers

I & J

mfg. LLC

(717) 442-9451

10 South New Holland Road, Suite 2
 Gordonville, PA 17529

VENDORS BY CATEGORY

Two Locations to Serve You Better!



Nolt's Greenhouse Supplies

Specializing in Greenhouse and Nursery Growing Supplies

(717) 354-8376

151 E. Farmersville Road
Ephrata, PA 17522



Nolt's Produce Supplies, LLC

Specializing in Vegetable Growing Supplies and Equipment

(717) 656-9764

152 N. Hershey Avenue
Leola, PA 17540



Compact Raised Bed Mulch Layer



Greenhouses & High Tunnels



Hyd Reset Mulch Lifter



Hyd Drive Wrapper



Water Wheel Transplanter

Please contact us for our free commercial growers catalogs or view it on our website: www.noltsproucesupplies.net

Hillside Cultivator Co. LLC



Hydraulic adjusted cultivator for the edges of plastic mulch



Cultivators especially for **Strawberries**



Eco Weeder for close cultivation around individual plants

For more information visit hillsidecultivator.com

Contact: John Shenk 717-669-3158 Lititz, PA hillsidecultivator@gmail.com

VENDORS BY CATEGORY

General Equipment

Planting Equipment

I & J Manufacturing – 717-442-9451
 Market Farm Implement – 814-443-1931
 Martin's Produce Supplies – 888-381-8641
 Marvel, Robert, Plastic Mulch – 800-478-2214
 Mechanical Transplanter Co. – 800-757-5268
 Nolt's Produce Supplies – 717-656-9764, 661-7069
 Stand'N Plant – 724-639-3965
 Woodhouse, J. S. – 717-938-5100

Harvesting Equipment

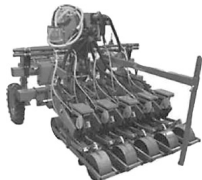
Harvest Pro Manufacturing – 717-768-7619
 I & J Manufacturing – 717-442-9451
 Market Farm Implement – 814-443-1931
 Martin's Produce Supplies – 888-381-8641
 Nolt's Produce Supplies – 717-656-9764, 661-70690

Plasticulture Equipment

DuBois Agrinovation – 800-667-6279
 Martin's Produce Supplies – 888-381-8641
 Market Farm Implement – 814-443-1931
 Marvel, Robert, Plastic Mulch – 800-478-2214
 Mechanical Transplanter Co. – 800-757-5268
 Nolt's Produce Supplies – 717-656-9764, 661-7069
 Saylor's Farm Products – 814-745-2306

MaterMacc **Precision Vacuum Planters** *Finally, One Planter For All Seed!*

New PushMacc



VegiMacc



MaterMacc

Two row shown with **Easy Set Toolbar** and **Stainless Steel** fertilizer and insecticide hoppers. **Plants All Size Seed** from Raw Lettuce to Pumpkin!
Quick Change Row Spacings!
Quick Change Seed Variety!
Quick Fertilizer Clean Outs!
1.5 Thimble Seed Charging!
Ideal for Corn & Pumpkin!

WE ALSO STOCK:

- Transplanters • Rototillers • Sprayers
- Cultivators Bed Shapers • Mulch Layers
- Spading Machines • Veg. Harvesters
- Wash Lines • Potato Diggers

Bean Harvester



3 Point Hitch
 with Adjustable
 Hydraulic Offset

SOLD BY:

Market Farm Implement, Inc.

257 Fawn Hollow Road • Friedens PA 15541

814-443-1931

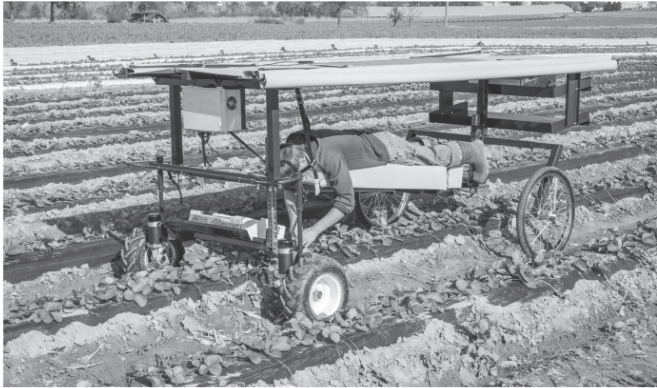
www.MarketFarm.com

• VISITORS BY APPOINTMENT •



VENDORS BY CATEGORY

Plant, Maintain And Harvest Your Produce



- Fully adjustable operator platform and head support for all day comfort
- Foot- Controlled Variable Speed and steering keeps both hands free for higher production

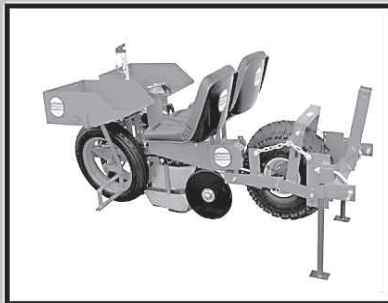


- :Trailer or wagon style option
- :30 ft aluminum conveyor with paddles 12in apart
- :Conveyor can be moved from front to back with track system
- :Conveyor can be lifted above bins for transporting

Give us a call or visit our website for more information

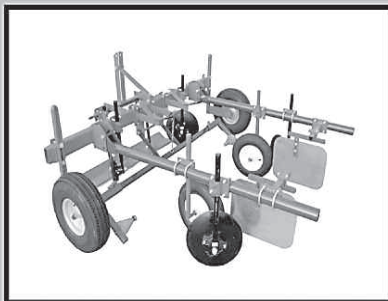
**25 Old Leacock Rd - Ronks Pa 17572
717-768-7619 | www.harvestpromfg.com**

MECHANICAL TRANSPLANTER COMPANY



Model 1000

- * Excellent for bare root and small cells. Our most popular transplanter.



Model 90

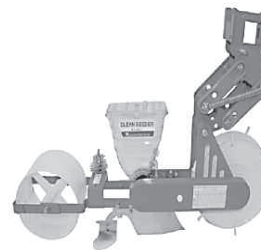
- * Lays any size mulch from 3-6 feet wide.

NEW CLEAN SEEDER



MODEL JP-1

- * Excellent for small seed
- * Lightweight & easy to handle
- * Accurate spacing



MODEL JPH

- * Row spacing as close as 7"
- * Mounts on 2" square toolbar

Mechanical Transplanter Company, LLC * 1150 Central Avenue * Holland, MI 49423
Phone: 616-396-8738 or 800-757-5268 * Fax: 616-396-3619
website: www.mechanicaltransplanter.com * e-mail: mtc@mechanicaltransplanter.com

VENDORS BY CATEGORY

General Equipment

Grading, and Packing Equipment

Market Farm Implement – 814-443-1931
 Martin's Produce Supplies – 888-381-
 Nolt's Produce Supplies – 717-656-9764, 661-7069
 Tew Manufacturing Corp. – 800-380-5839

Wholesale Labeling Equipment

Texpak – 800-645-3416

Refrigeration and Storage Systems

Arctic Refrigeration – 585-343-2678
 KoolJet Refrigeration – 866-748-7786

Refrigerated and Ventilated Cooling Systems for Fruit and Vegetable Storages

- COMMERCIAL REFRIGERATION
- DESIGN, SALES AND SERVICE
- SERVING AGRICULTURE FOR OVER 70 YEARS

Free Consultation and Quote
 Call Mike Mager at 585-343-2678

ARCTIC

REFRIGERATION CO. OF BATAVIA

26 Cedar Street, Batavia, NY 14020

www.arcticrefrigeration.com

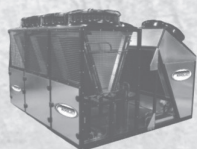
Since 2001 Authority in Refrigeration for
 Agro-Industrial Applications in North America.

PLUG
AND
PLAY



FREE
COOLING

- Thru the Wall
- Portable
- Roof Mounted
- Hydrocoolers
- Custom Designs
- Blast Freezers
- Chillers
- Greenhouse
Coolers



1.866.748.7786
info@kooljet.com

TEW MANUFACTURING CORP.

Fruit & Vegetable Cleaning &
Sizing Equipment & Parts

Quality Latex & Poly Sponge
Rubber Drying Donuts

Tuff Foam® Protective Padding

Brushes • Bearings • Sizing Chains

Belting • Scrubber Rubber

New Stainless Steel Machines

**CALL TOLL FREE 800-380-5839
 FOR CATALOG & PRICES**

TEW MFG. CORP.

P.O. BOX 87

PENFIELD, NY 14526

585-586-6120

FAX: 585-586-6083

www.tewmfg.com

VENDORS BY CATEGORY

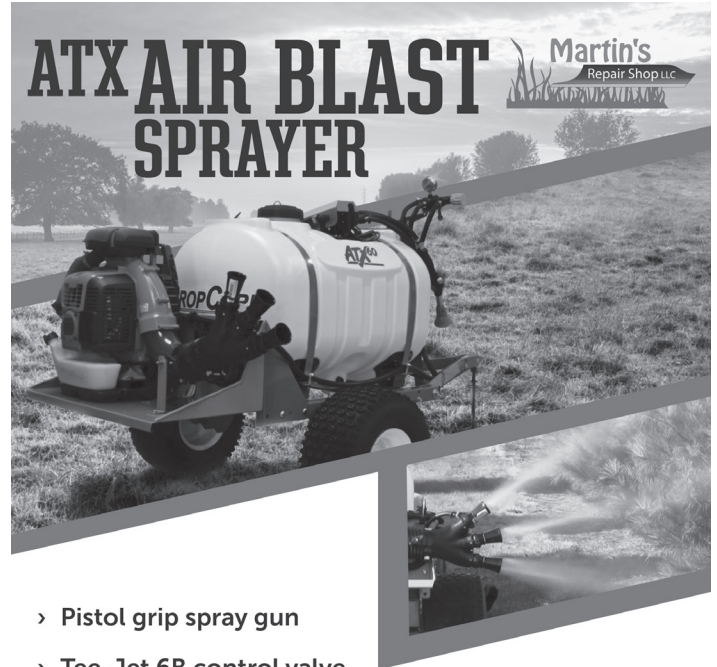
General Equipment

Irrigation Equipment and Supplies

- DuBois Agrinovation – 800-667-6279
- Gristmill Farm – 717-354-8443
- Harris Seeds – 585-754-5245
- Market Farm Implement – 814-443-1931
- Martin's Produce Supplies – 888-381-8641
- Marvel, Robert, Plastic Mulch. – 800-478-2214
- Nolt's Produce Supplies – 717-656-9764, 661-7069

Pesticide Application Equipment

- Market Farm Implement – 814-443-1931
- Martin's Produce Supplies – 888-381-8641
- Martin's Repair Shop – 717-733-3015
- Penns Creek Welding – 570-837-1197
- Woodhouse, J. S. – 717-938-5100



- › Pistol grip spray gun
- › Tee-Jet 6B control valve
- › Pressure regulator
- › Jet agitation
- › Calibration disc

Produced by:
Martin's Repair Shop LLC
 27 W Mohler Church Rd. Ste 1
 Ephrata, PA 17522
 717-733-3015

See a video of the ATX and MRS units in operation at
https://www.youtube.com/watch?v=2CGn_Bhcxs8



**SEE VIDEOS OF SPRAYERS IN ACTION ON UPDATED WEBSITE!
 NEW HYDRAULIC FOLD SPRAYER FEATURES
 AIRBAG BOOM SUSPENSION!**



200, 300 & 400 Gal. Manual Fold • 300 & 400 Gal. Hyd. Fold

Ask us about the advantages of the front mount boom.

PENNS CREEK MFG.

1340 Broadway Rd., Winfield, PA 17889

570-837-1197

www.pennscreekwelding.com

BUILDERS OF DEPENDABLE ECONOMICAL VEGETABLE SPRAYERS

VENDORS BY CATEGORY

General Supplies

Mulching/Row Covers

DuBois Agrinovation – 800-667-6279
 Gristmill Farm – 717-354-8443
 Harris Seeds – 585-754-5245
 Martin's Produce Supplies – 888-381-8641
 Marvel, Robert, Plastic Mulch – 800-478-2214
 Mechanical Transplanter Co. – 800-757-5268
 Nolt's Produce Supplies – 717-656-9764, 661-7069

Fertilizer

Daniel's Farm Store LLC - 717-656-6982
 Fertrell Company – 717-367-1566
 Martin's Produce Supplies – 888-381-8641
 Miller Chemical and Fertilizer LLC – 208-599-8665
 Nolt's Produce Supplies – 717-656-9764, 661-7069



Greenhouse Supplies

- Greenhouses & Supplies
- Heaters & Fans
- Fertilizers
- Irrigation
- Sprayers
- Produce Supplies



717-532-5918

888-381-8641

MartinsProduceSupplies.com

**ROBERT MARVEL
 PLASTIC MULCH, LLC**

717-838-0976
www.robertmarvel.com

VENDORS BY CATEGORY

BiO 360

Biodegradable | Compostable Mulch Film®



Made from Mater-Bi



BPI Certification



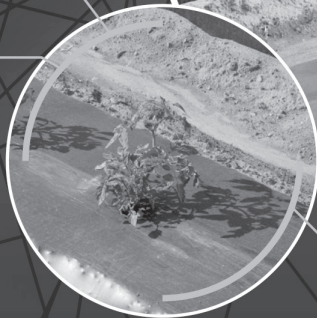
No negative impact on soil



Suitable for many types of crops



Several thicknesses available



Sustainably produced



Nolt's Produce Supplies
 717-656-9764 - Leola, PA
 noltsproucesupplies.net

For other regions, contact us
 1-844-4BIO360 (1-844-424-6360)



VENDORS BY CATEGORY

General Supplies

Pesticides/Plant Growth Regulators

Certis Biologicals – 800-250-5024
 Daniel's Farm Store LLC - 717-656-6982
 Fertrell Company – 717-367-1566
 Gowan Co – 845-745-9246key
 Martin's Produce Supplies – 888-381-8641
 Miller Chemical and Fertilizer LLC – 208-599-8665
 ProFarm Group – 717-877-7105
 Vive Crop Protection – 616-928-8720

Biocontrols – Beneficial Insects

Certis Biologicals – 800-250-5024
 IPM Laboratories - 315-497-2063
 ProFarm Group – 717-877-7105



AZterknot®

Conventional +
Biological Fungicide

1. Trusted disease control with dual MOA

2. Added plant health benefits of a biological

3. Flexibility & ease-of-use with Allosperse® technology

Scan QR code to learn more & **ENTER TO WIN Milwaukee® Packout™ Sweepstakes**



VENDORS BY CATEGORY

BIOPESTICIDES WITHOUT COMPROMISE

Protect your vegetables with the dynamic trio of Cueva, Double Nickel, and LifeGard.

Cueva®

LIQUID COPPER FUNGICIDE CONCENTRATE

- Low-load liquid copper formulation
- Smaller particle size provides better coverage and longer residual than other coppers.
- Great performance on bacterial spot & speck, black rot, and powdery mildew.
- OMRI-listed
- 4 hr. REI, 0 day PHI

Double Nickel®

BIOFUNGICIDE

- High-potency Bacillus strain with multiple modes of action against fungal and bacterial diseases.
- Soil applications improve root establishment, protect against pathogens like Rhizoctonia, and enhance yield.
- Foliar applications defend against bacterial and fungal diseases like early blight, bacterial spot and speck, and powdery mildew.
- OMRI-listed
- 4 hr. REI, 0 day PHI

LifeGard®

BIOLOGICAL PLANT ACTIVATOR

- Activates the natural defense mechanism in your crops before infection takes hold.
- Excellent rotation partner against a wide variety of bacterial and fungal diseases.
- OMRI-listed
- 4 hr. REI, 0 day PHI



CERTIS
Biologicals



CERTISBIO.COM | 1-800-250-5024

©2022 Certis USA

#322V8A

Judy Collier

(302) 542-4665

jcollier@certisbio.com

VENDORS BY CATEGORY

General Supplies

Containers and Packaging Supplies

DuBois Agrinovation – 800-667-6279
 Harris Seeds – 585-754-5245
 Martin's Produce Supplies – 888-381-8641
 Nolt's Produce Supplies – 717-656-9764, 661-7069
 ProducePackaging.com – 800-644-8729
 Saylor's Farm Products – 814-745-2306
 Statewide Bag Service – 717-647-2623
 Southern Container Corp. – 232-230-4958



ProducePackaging.com®
for all your produce packaging needs

1-800-644-8729
 Kurt Zuhlke & Assoc., Inc.
 P.O. Box 609, Bangor, PA 18013



Over 45 Years In The Industry

For over 45 years, Kurt Zuhlke & Assoc., Inc. has been a part of the many innovative packaging concepts utilized by the produce industry.



High Quality Products And Services

Our packaging is designed to protect produce, provide excellent visibility to the consumer, reduce shrinkage and enhance the product. We also offer professional labeling design and application.



From Farmers To Repackers

Whether you are ordering a case or a truck load, you can rest assured that we have the ability and capacity to service your orders quickly.



VENDORS BY CATEGORY



Southern Container Corporation of Wilson, NC

6003 Ward Blvd., Wilson, NC 27893
Website: www.socontainers.com

Harry Helmer - 252-230-4958 - hhelmer@socontainers.com
Chris Thompson - 252-230-1376 - cthompson@socontainers.com
Don Nichols - 252-668-0418 - dnichols@socontainers.com

Serving the Tobacco & Produce Industries For Over 60 Years

Agricultural Packaging Solutions

SHIPPING TRAYS & PRODUCE BOXES



8 - 1 Quart 12 - 1 Pint 6 - 1 Quart 12 - 1 Pint Quick Pop 8 - 1 Pound 4 - 1 Quart



10# Sweet Potato Boxes 20# Sweet Potato Boxes 40# Sweet Potato Boxes Plastic Corrugated Corn and Cabbage Boxes



Produce Bins - 18" - 42" Plain, Watermelon, and Pumpkin Print Available Waxed, Green Coat, & Dry Produce Boxes, Various Sizes 10 & 25 Pound Tomato Box 24 Qt. Potato/Tomato Picking Hampers

BAGS

Grab & Go Vented Produce Zip Bags



Paper Produce Bags



Mesh Bags Red & Green



CLAMSHELLS & PULP CUPS



1/2 Pint, Pint, Quart, 1 Pound, 2 Pound, & 4 Pound Clamshells Pint, 1/2 Pint, & Quart Pulp Cups

BUSKETS & BASKETS

SHEETS



4 Quart Basket Various Colors 2, 3, 4, & 6 Quart Baskets 3 Qt. Mini-Basket Green & White 7 and 10 Oz. Burlap Sheets

VENDORS BY CATEGORY

General Supplies

Wildlife/Bird Damage Control Products

DuBois Agrinovation – 800-667-6279

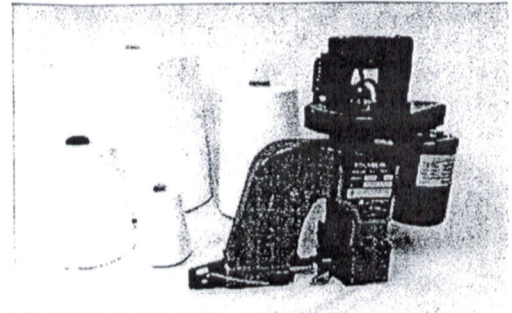
Marvel, Robert, Plastic Mulch – 800-478-2214

Cover Crop Seeds

King's Agriseeds – 717-687-6224



Paper & Poly Potato Bags
Mesh Bags for Onions, Cabbage & Sweet Corn
Fischbein Sales & Service
Thread & Wire Ties



Large inventory of Produce Packaging

2lb. to 50 lb. Paper Potato Bags

Paper Master Containers

Poly Potato Bags

3 lb. 10 lb. 25lb. & 50 lb. Mesh Onion Bags

Mesh Cabbage & Mesh Sweet Corn Bags

Wire Ties & Kwik Loks

Fischbein Portable Bag Closers

Fischbein Parts & Repairs done on site

Thread / 8 oz. to 20 lb. Cones

CALL

717-647-2623 -717-460-7962

Visit our website at

www.tallmanpotatoes.com

see our full line of products

CALL STATEWIDE BAG SERVICE

FOR YOUR

PRODUCE PACKAGING NEEDS

HIGH QUALITY PRODUCTS

& PERSONALIZED SERVICE

sjtallman@tallmanpotatoes.com



PLANT. PICK. PROFIT.

BETTER GENETICS. BETTER PRODUCTIVITY.
BETTER PROFITABILITY.



LUNAR

56 Day Fresh Market Bush Bean

This SEEDWAY EXCLUSIVE has strong seed quality. Excellent plant habit for easier harvest. Does well in hot growing conditions. Uniform, dark green pods (3-4 sieve).

HR: BCMV, CI
IR: Ua



AUTUMN PEARL

95 Day Pie Pumpkin

Pie pumpkins are a favorite everywhere! Autumn Pearl makes its introduction into the pie pumpkin class with an all around eye catching appearance: sturdy handle, distinct ribbing and dark orange color. One to try for 100-110 count bins (24" bins).

Recom-mended spacing is 15 to 18 square feet per plant. IR: Sf



BEACON

70 Day Sweet Banana Pepper

This sweet banana pepper combines excellent disease resistance with great early yield of straight, heavy, thick walled fruit. It is great for processing. HR: Xcv 1 - 3, TSWV



LAZOR

42 Day Yellow Straightneck Summer Squash

Exceptionally firm, smooth fruit alleviates some of the "roughness" typical of first picks. Thick and sturdy neck promotes easy handling. Attractive glossy skin.

IR: ZYMV

VENDORS BY CATEGORY

Vegetable Supplies

Vegetable Seeds

Harris Seeds – 585-754-5245
 Martin's Produce Supplies – 888-381-8641
 Nolt's Produce Supplies – 717-656-9764
 Outstanding Seed Co. – 800-385-9254
 Rupp Seeds – 419-337-1841
 SeedWay – 800-952-7333
 Stokes Seeds – 800-263-7233

Vegetable Plants

Harris Seeds – 585-754-5245
 Re-Divined – 717-875-6644

Small Fruit Supplies

Berry Nurseries

Maplewood Produce Greenhouse – 717-532-3278
 Nourse Farms, Inc. – 413-665-2658



Photo – Kathleen Demchak

After 11 years in business...

Let our lessons learned through the years pave the way for your success. We supply custom orders of GRAFTED plants including: Tomato, Pepper, Eggplant and Watermelon.



Mike and Kaitlin Horst

142 Black Swamp Rd.

Bainbridge, PA 17502

717-286-7658 * grafted@redivined.net

Call or write and request our 2023 price list.

No charge for deliveries within Lancaster Co

NOURSE
Delivering Quality

High-quality plants.
 Exceptional customer service.

**It's our mission.
 Literally.**



NourseFarms.com | 413-665-2658 | info@noursefarms.com



VENDORS BY CATEGORY

HARRIS SEEDS AD

VENDORS BY CATEGORY

Greenhouse Supplies & Equipment

Greenhouse Equipment and Supplies

Daniel's Farm Store LLC – 717-656-6982
 DuBois Agrinovation – 800-667-6279
 Fertrell Company – 717-367-1566
 Gristmill Farms – 717-354-8443
 Harris Seeds - 585-754-5245
 IPM Laboratories - 315-497-2063
 Lambert Peat Moss – 888-632-8808
 Martin's Produce Supplies – 888-381-8641
 Martin's Repair Shop - 717-733-3015
 Marvel, Robert, Plastic Mulch – 800-478-2214
 Nolt's Greenhouse Supplies - 717-354-8376
 Rimol Greenhouse Systems – 603-494-5775

Bedding Plant Seeds/Plugs/Cuttings

Harris Moran Seeds – 209-579-7333
 Harris Seeds – 585-754-5245
 Stokes Seeds – 800-263-7233

Greenhouse and Low/High Tunnel Structures

Nolt's Greenhouse Supplies – 717-354-8376
 Rimol Greenhouse Systems – 603-494-5775

Growing Media

Gristmill Farms – 717-354-8444
 Lambert Peat Moss – 888-632-8808
 Martin's Produce Supplies – 888-381-8641
 Nolt's Greenhouse Supplies – 717-354-8376



lambert

PREMIUM PROFESSIONAL PEAT-BASED SUBSTRATES



FOR ALL YOUR GERMINATION AND ALL PURPOSE NEEDS



DENNIS DOBROWSKI
 Cell: (484) 716-5662
 Toll Free: (888) 632-8808
lambertpeatmoss@aol.com
www.lambertpeatmoss.com

Your Source for . . .

HIGH TUNNELS



Call Harry Edwards @ 717.606.8021
 or Email hedwards@rimol.com

VENDORS BY CATEGORY



RUPP FEATURE:

Ugly Dumpling is a 100-day, sweet dumpling. Partners claim it is the best tasting winter squash. Harvest a surprise



FORONTI

Can a tomato be attractive? Foronti says yes.

A large beef variety with high production potential and above average fruit weight.



PROVIDENCE

Providence is a roadside grower's dream.

Our top selling bi-color Synergistic. A consistent 82-day corn with great eating quality.



GOLDY DOUBLE

Goldy Double can be a good addition to your fields.

Sturdy plants with large, fully double 5-7" blooms that are ready in about 60 days.

The best products from the top producers including: Bayer Seminis, Sygenta, and Genesis Seeds.

More than 1,000 seed varieties at ruppseeds.com

Questions/Orders: 1-800-700-1199



RAISING THE BAR

IN QUALITY, FLAVOR, & YIELD

VENDORS BY CATEGORY

CLASSIFIEDS

Direct Marketing Supplies

Farm Market Packaging

Harris Seeds – 585-754-5245

Statewide Bag Service – 717-647-2623

Advertising and Promotional Materials

PA Veg. Mktg. & Research Prog. – 717-694-3596

Mobile Apps

Culineer – 717-805-2763



Supplies

DANIEL'S FARM STORE LLC

Produce Chemicals and Biologicals

Check out our selection of Conventional and Organic/Biopesticides. Also stocking Pesticides for Greenhouse Produce Production. We are a Distributor for Non-Import Beneficial Insects – the New Tool for Insect Pest Resistance.

Call for Pricing – 717-656-6982

VEGETABLE FARM EQUIPMENT
AUCTION SPECIALISTS
PIRRUNG AUCTIONEERS, INC.
JAMES P. PIRRUNG

www.pirrunginc.com

585-728-2520

*"Serving the Buying - Selling Needs of Farmers
Across America Since 1948"*

Morrissey Insurance is proud to represent an industry as hardworking and dedicated as our farmers!

We are pleased that our customers choose to work with us!

Customer satisfaction is our number one goal.

Here's what one of our valued customers has to say when asked:

"Why do you choose to work with Morrissey Insurance?"

"Morrissey is a family owned and operated business that understands the needs of our family farm and retail business. Their staff is very knowledgeable and helpful and can provide us with the various types of insurance our farm and retail business needs to keep us "safe" doing business in the Lehigh Valley. We have been with Morrissey for many years and are very happy with the service they provide."

Newhard Farms



B&M MORRISSEY
INSURANCE

"Insuring Your Future since 1971"

890 N. Reading Rd., Ephrata, PA 17522

13025 Route 6, Troy, PA 16947

www.insuringyourfuture.com

800-422-8335

VENDORS BY CATEGORY

STAND TOGETHER,
Stay Together.

For over 100 years, we've been standing together with farmers like you by providing reliable financial services. We wouldn't have it any other way.

Give us a call to speak with a relationship manager today.



FARM CREDIT

888.339.3334 | HorizonFC.com

 NMLS#
452721

VENDORS BY CATEGORY

Services

Associations

Pennsylvania Association for Sustainable Agriculture – 814-349-9856

Pennsylvania Vegetable Growers Association – 717- 694-3596

Auctioneers

Pirrung Auctioneers – 585-728-2520

Crop Insurance

Morrissey, Bernard, Insurance – 800-422-8335

Farm Succession and Land Access

PA Farm Link - 717-705-2121

Financial Services

Horizon Farm Credit – 888-339-3334

General Insurance (Liability, Workers Compensation, Health, Fire, etc.)

Morrissey, Bernard, Insurance – 800-422-8335

Government

Pennsylvania Department of Agriculture – 717-705-9511

Management Services/Products

Martin's Produce Supplies – 888-381-8641
PA Farm Link – 717-705-2121

Produce Auctions

Buffalo Valley Produce Auction – 570-966-1151
Countryside Produce Auction – 814-662-2222
Cumberland Valley Produce Auction – 717-530-5007
Juniata Wholesale Produce Sales LLC – 717-463-2484
Kutztown Produce Auction – 610-683-7161
Lebanon Produce Auction – 717-367-8379
Leola Produce Auction – 717-656-9592
Morrison's Cove Produce Auction – 814-793-9384
New Wilmington Produce Auction – 724-946-8540
Oxford Produce Auction – 610-392-2722
Shippensburg Produce Auction – 717-532-5511
Smicksburg Produce Auction – 814-221-5103, 229-0056
Snyder County Produce Auction – 570-374-0284
Sugar Valley Produce Auction – 570-725-2000
Sunnyburn Produce Auction – 717-862-3010
Weaverland Produce Auction – 717-355-0834

Pasa SUSTAINABLE AGRICULTURE

DIVERSIFIED VEGETABLE APPRENTICESHIP

Pasa's Diversified Vegetable Apprenticeship pairs beginning farmers with established growers to provide a guided pathway toward managing or starting a vegetable farm.

Apprentice Ventura Ortiz at Apple Ridge Farm, Pennsylvania



Apply today at
pasafarming.org/dva

Applications for host farms & apprentices are reviewed on a rolling basis, however we recommend applying by February 25, 2023.

Apprentices

prepare for a career in farm management and receive 2,700+ hours of paid, on-the-job training and 200+ hours of related coursework over 18 months.

Host farms

train the next generation of sustainable farmers and gain access to a pool of pre-qualified employees invested in farming as a career.

Diversified Vegetable Apprenticeship is administered in Pennsylvania and the surrounding region.

VENDORS BY CATEGORY



PENNSYLVANIA VEGETABLE MARKETING & RESEARCH PROGRAM

In the last **35** years the Program has funded over **400** Research Projects with **\$729,000** in grower assessment dollars.



and promoted PA Veggies to **MILLIONS of Consumers** with Social Media, the **PAVEGGIES.org Website** and other means with over **\$600,000** in grants, almost doubling the over **\$600,000** in grower assessment dollars used for promotion.

The Program offers PA Produce point-of-purchase materials for growers that sell retail – price cards, paddles and stickers, recipe brochures, and “How to Use” cards, plus banners, shirts, hats and aprons.



The Pennsylvania Vegetable Marketing and Research Program is a statewide marketing order established by a grower referendum, governed by a grower board and funded by grower assessments.
 2301 N. Cameron St., Harrisburg, PA 17110 717-694-3596 pvmrp@embarqmail.com www.paveggies.org

VENDORS BY NAME

Vendors by Name

Arctic Refrigeration Co. *see ad on page 8*
26 Cedar St., Batavia, NY 14020
585-343-2678
www.arcticrefrigeration.com

Buffalo Valley Produce Auction
Violet Road, Mifflinburg, PA 17844
570-966-1151 fax 570-966-2601
www.buffalovalleyproduce.com/

Certis Biological *see ad on page 13*
9145 Guilford Rd., Ste 175, Columbia, MD 21046
800-250-5024
www.CertisUSA.com

Countryside Produce Auction
1695 Savage Rd., Salisbury, PA 15558
814-662-2222

Culineer
6511 Windmere Rd, Harrisburg PA 17111
717-805-2763
https://culineerapp.com

Cumberland Valley Produce Auction
101 Springfield Rd., Shippensburg, PA 17257
717-530-5007
cvproduceauction.com

Daniel's Farm Store LLC *see ad on page 22*
324 Glenbrook Rd., Leola, PA 17540
717-656-6982

Dubois Agrinovation, Inc. *see ad on page 13*
478 Notre Dame, St-Remi, Quebec, Canada J0L2L0
800-667-6279
www.duboisag.com

Fertrell Company *see ad on page 12*
PO Box 265 Bainbridge PA 17502-0265
717-367-1566
www.fertrell.com

Freon Orchard Supply
501 South Reading Ave., Boyertown, PA 19512
610-367-2933

Gowan Co
Alex Deckey, Sales Rep
845-745-9246
adeckey@gowanco.com
www.gowanco.com

Gristmill Vegetable Farm
201 Gristmill Rd, New Holland PA 17557
717-354-8444 fax – 717-354-8444

Harris Seeds
355 Paul Road, Rochester, NY 14624
800-544-7938 fax – 877-892-9197
www.harrisseed.com

Harris Moran Seed Co. *see ad on page 17*
555 Codoni Avenue, Modesto, CA 95357
209-579-7333 fax – 209-544-0335
www.harrismoran.com

Harvest Pro Manufacturing *see ad on page 7*
25 Old Leacock Rd., Ronks, PA 17572
717-768-7619
www.harvestpromfg.com

Hillside Cultivator *see ad on page 5*
911 Disston View Dr., Lititz, PA 17543
717-626-6194
www.hillsidecultivator.com

Horizon Farm Credit *see ad on page 23*
300 Winding Creek Blvd., Mechanicsburg, PA 17050
888-339-3334
www.HorizonFC.com

I & J Manufacturing *see ad on page 4*
10 S. New Holland Rd., Suite 2, Gordonville, PA 17529
717-442-9451
www.farmingwithhorses.com

IPM Laboratories
PO Box 300, Locke, NY 13092-0300
315-497-2063, fax - 315-497-3129
www.ipmlabs.com

Juniata Wholesale Produce Sales LLC
4655 Cedar Springs Rd., Mifflintown, PA 17059
717-463-2484

Keystone Fence Supplies, LLC
PO Box 268, 280 N. Locust St., Schaefferstown, PA 17088
717-949-8170
www.keystonefencesupplies.com

King's Agri-Seeds
1828 Freedom Rd, Lancaster, PA 17601
717-687-6224
www.kingsagriseeds.com

KoolJet Refrigeration *see ad on page 8*
150 Adams Blvd., Brantford, ON N3S 7V2
866-748-7786 fax – 519-452-4040
www.kooljet.com

Kutztown Produce Auction
209 Oakhaven Rd., Fleetwood, PA 19522
610-683-7161 fax 610-683-5429
www.kutztownproduceauction.com

Lambert Peat Moss *see ad on page 20*
106 Lambert Rd., Riviere-Ouelle, QU Canada G0L 2C0
888-632-8808, 315-480-1900
www.lambertpeatmoss.com

Lebanon Produce Auction
166 W. Reistville Rd., Myerstown, PA 17067
717-949-2643
www.lebanonproduceauction.com

Leola Produce Auction
135 Brethren Church Rd., Leola, PA 17540
717-656-9592
www.leolaproduceauction.com

VENDORS BY NAME

Maplewood Produce Greenhouse *see ad on page 20*
8564 Old Scotland Rd., Shippensburg, PA 17257
717-532-3278

Market Farm Implement *see ads on page 6*
257 Fawn Hollow Rd., Friedens, PA 15541
814-443-1931
www.MarketFarm.com

Martin's Produce Supplies *see ad on page 10*
627 Britton Rd., Shippensburg, PA 17257
888-381-8641 fax – 717-532-5872
www.martinsproducesupplies.com

Martin's Repair Shop *see ad on page 9*
28 E. Trout Run Rd., Ephrata, PA 17522
717-733-3015 fax – 717-733-9618

Marvel Plastic Mulch-Irrigation, Robert *see ad on page 10*
2425 Horseshoe Pike, Annville, PA 17003
800-478-2214, fax – 717-838-0978
www.RobertMarvel.com

Mechanical Transplanter Co. *see ad on page 7*
1150 Central Ave., Holland, MI 49423-5230
800-757-5268, fax – 616-396-3619
www.mechanicaltransplanter.com

Miller Chemical and Fertilizer, LLC
3100 Cumberland Blvd., Suite 600, Atlanta, GA 30339
208-599-8665
www.millerchemical.com

Morrison's Cove Produce Auction
174 Windy Acres Ln., Roaring Springs, PA 16673
814-793-9384

Morrissey Insurance Inc., Bernard *see ad on page 22*
890 N. Reading Rd., Ephrata, PA 17522
800-422-8335, fax - 717-336-3729
www.insuringyourfuture.com

Nolt's Greenhouse Supplies *see ad on page 5*
151 E. Farmersville Rd., Ephrata, PA 17522
717-354-8376
www.noltsgreenhousesupplies.com

Nolt's Produce Supplies *see ads on pages 5 & 11*
152 North Hershey Ave., Leola, PA 17540
717-656-9764
www.noltsgreenhousesupplies.net

Nourse Farms, Inc. *see ad on page 18*
41 River Rd, South Deerfield, MA 01373
413-665-2658, fax - 413-665-7888
www.noursefarms.com

Outstanding Seed Co. LLC *see ad on page 32*
PO Box 1584, Beaver Falls, PA 15010
800-385-9254
www.outstandingseed.com

Oxford Produce Auction
200 Union School Rd., Oxford, PA 19363
610-392-2722

Penns Creek Welding & Manufacturing *see ad on page 9*
1340 Broadway Road, Winfield, PA 17889
570-837-1197
www.pennscreekwelding.com

Penna. Department of Agriculture
2301 N Cameron St., Harrisburg, PA 17110-9408
717-409-0219
agriculture.pa.gov/agbiz

PA Farm Link *see ad insert*
2301 N. Cameron St., Harrisburg, PA 17110
717-705-2121
www.pafarmlink.org

PA Farm Markets, LLC
4184 Dorney Park Rd., Room 104, Allentown, PA 18104
610-391-9840
www.pafarm.com

PA Preferred Program
2301 N Cameron St., Harrisburg, PA 17110-9408
717-705-9511
www.papreferred.com

Penna. Ass'n. for Sustainable Ag. *see ad on page 24*
1631 N. Front St., Harrisburg, PA 17102
814-349-9856
www.psafarming.org

Penna. Vegetable Marketing and Research Program
see ad on page 25
2301 N. Cameron St., Harrisburg, PA 17110
717-694-3596
www.paveggies.org

Pirring Auctioneers, Inc.
PO Box 607; 2731 East Naple Street; Wayland, NY 14572
585-728-2520, fax - 585-728-3378
www.pirringinc.com

ProducePackaging.com *see ad on page 14*
PO Box 609; 20 Market St., Bangor, PA 18013
800-644-8729
www.producepackaging.com

ProFarm Group
1540 Drew Ave., Davis, CA 95618
717-877-7105 – Steve Bogash
www.marronebio.com

Re-Divined *see ad on page 18*
142 Black Swamp Rd, Bainbridge, PA 17502
717-286-7658 grafted@redivined.net
www.redivined.weebly.com

Rimol Greenhouse Systems *see ad on page 20*
40 London Derry Tpk., Hooksett, NH 03106
717-606-8021, fax – 603-629-9023
www.rimol.com

Rupp's Seeds *see ad on page 21*
17919 Road B, Wauseon, OH 43567
419-337-1841, fax – 419-337-5491
www.ruppseeds.com

VENDORS BY NAME

Saylor's Farm Products

17319 Rt 68, Sligo, PA 16255
814-745-2306
www.saylorsfarm.com

SeedWay *see ad on page 17*

99 Industrial Rd., Elizabethtown, PA 17022
800-952-7333, fax - 717-367-0387
www.seedway.com

Shippensburg Produce Auction

1120 Ritner Hwy., Shippensburg, PA 17257
800-346-2334
sauctioncenter.com

Smicksburg Produce Auction

1526 Barnard Rd., Smicksburg, PA 16256
814-221-5103 or 814-229-0056

Snyder County Produce Auction

6130 S. Susquehanna Trail, Port Trevorton, PA 17864
570-374-0284 fax 570-374-0693
www.snydercountyproduce.com

Southern Container Corp. *see ad on page 15*

6003 Ward Blvd., Wilson, NC 27893
252-230-4958, 252-230-1376, 252-668-0418
www.socontainers.com

Stand'N Plant *see ad on page 4*

95 Rose Rd., Saltsburg, PA 15681
724-639-3965 or 724-349-5167
www.standnplant.com

Statewide Bag Service *see ad on page 16*

31 Schwalm Road Tower City PA 17980
717-647-2623
www.tallmanpotatoes.com

Stokes Seeds

Box 548, Buffalo, NY 14240
800-263-7233, fax - 888-834-3334
www.stokeseeds.com

Sugar Valley Produce Auction

702 South Mill St., Loganton, PA 17747
570-725-2000

Sunnyburn Produce Auction

101 Atkins Rd., Airville, PA 17302
717-862-3010

Tew Manufacturing Corp. *see ad on page 8*

PO Box 87; 470 Whitney Rd.; Penfield, NY 14526
800-380-5839, fax 585-586-6083
www.tewmfg.com

Texpak

130 Hyde Park Rd., Franklin Square, NY 11010
800-645-3416
www.texpack.com

New Wilmington Produce Auction

3238 State Route 208
New Wlilmington, PA 16142
724-946-8540

Vive Crop Protection *see ad on page 12*

Unit 1, 6275 Northam Drive
Mississauga, Ontario L4V 1Y8 Canada
616-928-8720 (USA) ktaylor@vivecrop.com
www.vivecrop.com

Weaverland Produce Auction

485 Quarry Rd., New Holland, PA 17557
717-355-0834

Wes Stauffer Engine and Equipment *see ad on page 4*

23 Pleasant Valley Rd., Ephrata, PA 17522
717-738-4215
www.wesstauffer.com

Woodhouse Co. , J. S.

572 Industrial Dr. Lewisberry PA 17339
717-938-5100 fax - 717-938-8769
www.jswoodhouse.com

PENNSYLVANIA



SIMPLY SWEET
ONIONS

The Pennsylvania Vegetable Growers Association holds the trademark for the "Pennsylvania Simply Sweet Onion", a premium brand of Pennsylvania-grown sweet onions. The Association licenses growers to grow certain varieties under specified conditions (plastic mulch with drip irrigation). Onions grown by licensed growers under these terms and which meet certain quality standards are allowed to be marketed as "Simply Sweets". For further information on how to grow "Simply Sweets"; contact PVGA at 717-694-3596 or pvga@pvga.org. You can also visit www.pennsylvaniasimplysweetonions.com

Which is Which? Are They the Same?



Pennsylvania Vegetable Growers Association

The Pennsylvania Vegetable Growers Association (PVGA) is the voluntary association of growers that publishes this newsletter, sponsors the Mid-Atlantic Fruit and Vegetable Convention, and provides other grower educational resources. It helps fund research with profits from its Farm Show food booth.

While both groups work together to fund practical vegetable research and promote the vegetable industry, they are completely separate organizations controlled by separate boards – PVGA by its elected Board of Directors and PVMRP by its Board of growers appointed by the state Secretary of Agriculture.

William Troxell serves as the staff person for both groups and they share the same phone number, but they are two separate groups.



PENNSYLVANIA VEGETABLE MARKETING & RESEARCH PROGRAM

The Pennsylvania Vegetable Marketing and Research Program (PVMRP) is the mandatory state check-off program for all growers with 1 acre of field or 1,000 sq. ft. of greenhouse/high tunnel production. It funds research and promotes PA vegetables.

Connections for Berry Growers

Online Info Exchange

PVGA sponsors a monthly get-together for berry growers on the second Monday night of the month at 8:00 p.m. The meetings are designed to give growers a chance to get time-sensitive updates on current issues from state and regional extension personnel, exchange info with other growers, get answers to their questions, or just listen in or bounce thoughts off of others. Kathy Demchak is the host. Calls are open to PVGA members and non-members so spread the word and invite your friends and neighbors to join.

The Zoom link is

<https://us02web.zoom.us/j/83077021881>

The call-in numbers are (be aware that this is not a toll-free call):

+1 929 436 2866 US (New York)

+1 301 715 8592 US (Washington DC).

The meeting ID is 830 7702 1881

If you have questions, contact us at pvga@pvga.org or 717-694-3596.

Berry Growers Facebook Group

This a forum for commercial berry growers to share production and marketing challenges and solutions among themselves. It is a private Facebook group open only to commercial berry growers, not to consumers. On Facebook, search for PVGA Berry Growers and ask to join the group.

Resources for Commercial Potato Growers

The PVGA Potato Committee has compiled the following list of online resources available to commercial potato growers at www.pvga.org.

Commercial Potato Production in North America (Potato Assn Of America)

Mid-Atlantic Commercial Potato Production Guide includes weed, insect, and disease controls plus recommendations on soil fertility and variety selection. Updated every two years by land grant university specialists.

Managing Seed Potatoes for Planting –

University of Maine – Bulletin #2412, Potato Facts: Selecting, Cutting and Handling Potato Seed – Cooperative Extension Publications – University of Maine Cooperative Extension (umaine.edu)

Penn State University Potato Research

Reports – includes annual reports on potato research at Penn State

Chip Potato Variety Trial Reports from PA – a

link to Potatoes USA Potato Variety Database. Pennsylvania chip variety field trial results are included in this data base with tutorial videos to get you started.



Pennsylvania Vegetable Growers Association

2023 Membership Form

Name _____
 Farm Name _____
 Address _____
 City/State _____ Zip Code _____
 PA County _____ Telephone ____/____/____ Cell Phone ____/____/____
 Facsimile ____/____/____ Electronic Mail _____

Check here if you have never been a member of PVGA previously.

Business Information Please check all that apply.
 ___ Grower (owner-operator) ___ Retail ___ Wholesale
 ___ Fresh Market Vegetables ___ Processing Vegetables ___ Greenhouse Vegetables ___ Potatoes
 ___ Small Fruit ___ Bedding Plants ___ Cut Flowers ___ Tree Fruit
 ___ Grower Employee ___ Supplier (equipment, chemicals, etc.) ___ Processor ___ Other _____

2023 PVGA Membership Dues

Regular Membership A \$5 discount is allowed for dues paid before February 5. \$75.00 _____

Open to all owner, operators and employees of vegetable, potato and berry farm operations, processing firms and supply companies. All memberships include newsletter subscription.

Associate Regular Membership Includes newsletter subscription. \$40.00 _____

Must be one of the following - circle one: Student Retired University Staff Extension Agt.

Keystone Membership An optional membership category open to vegetable and berry farming operations, processing firms, and supplier firms. Includes newsletter subscription.

Dues based on gross income from vegetable potato or berry industries. Any member paying \$75 or more in dues will be considered a Keystone Member. The following rates are only suggestions.

\$100 for up to \$75,000 \$125 for \$75,000 to \$150,000 \$175 for \$150,000 to \$225,000
 \$225 for \$225,000 to \$500,000 \$300 for \$500,000 to \$1,000,000 \$400 for over \$1,000,000

Associate Keystone Membership Must be a family member or employee of a Keystone Member. \$40.00 _____

2023 Mid-Atlantic Fruit and Vegetable Convention

Proceedings _____ @ \$20.00 _____

Country Folks Grower -Check here to receive a free monthly subscription to this publication _____

Total Enclosed Payment by check or money order only - make checks payable to "PVGA" _____

Mail this registration form and payment to: **PVGA, 815 Middle Road, Richfield, PA 17086-9205** 717-694-3596 - phone and fax

Thank you for your membership in PVGA that brings you



- Subscriptions to the **NEWS** and the **PVGA Update** plus the **American Vegetable Grower** magazine and the **Vegetable Growers News**

Besides making you part of the organization that:

- Sponsors the Mid-Atlantic Fruit and Vegetable Convention
- Also sponsors local grower meetings and tours
- Provides support for vegetable and small fruit research (over \$1.35 million in the last 34 years!)
- Is the voice of the Pennsylvania Vegetable, Potato and Berry industries

IMPORTANT TELEPHONE NUMBERS

Poison Control Center 800-222-1222

Integrated Pest Management Hotline & Pesticide Update Credit Information 800-PENN-IPM

Penn State Cooperative Extension Offices

Adams	717-334-6271
Allegheny	412-263-1000
Armstrong	724-548-3447
Beaver	724-774-3003
Bedford	814-623-4800
Berks	610-378-1327
Blair	814-940-5989
Bradford	570-265-2896
Bucks	215-345-3283
Butler	724-287-4761
Cambria	814-472-7986
Cameron	814-486-3350
Carbon	570-325-2788
Centre	814-355-4897
Chester	610-696-3500
Clarion	814-223-9028
Clearfield	814-765-7878
Clinton	570-726-0022
Columbia	570-784-6660
Crawford	814-333-7460
Cumberland	717-240-6500
Dauphin	717-921-8803
Delaware	610-690-2655
Elk	814-776-5331
Erie	814-825-0900
Fayette	724-438-0111
Forest	814-755-3544
Franklin	717-263-9226
Fulton	717-485-4111
Greene	724-627-3745
Huntingdon	814-643-1660
Indiana	724-465-3880
Jefferson	814-849-7361
Juniata	717-436-7744
Lackawanna	570-963-6842
Lancaster	717-394-6851
Lawrence	724-654-8370
Lebanon	717-270-4391
Lehigh	610-391-9840
Luzerne	570-825-1701
Lycoming	570-433-3040
McKean	814-887-5613
Mercer	724-662-3141
Mifflin	717-248-9618
Monroe	570-421-6430
Montgomery	610-489-4315
Montour	570-784-6660
Northampton	610-813-6613
Northumberland	570-988-3950
Perry	717-582-5150
Philadelphia	215-471-2200
Pike	570-296-3400
Potter	814-274-8540
Schuylkill	570-622-4225
Snyder	570-556-4760
Somerset	814-445-8911

Sullivan	570-928-8941
Susquehanna	570-278-1158
Tioga	570-724-9120
Union	570-556-4760
Venango	814-437-7607
Warren	814-563-9388
Washington	724-228-6881
Wayne (extension 4110)	570-253-5970
Westmoreland	724-837-1402
Wyoming	570-836-3196
York	717-840-7408

Pennsylvania Department of Agriculture

Pesticide Regulations, Worker Protection Standards, Chemsweep Program, Plant Inspection, Food Safety Inspection - contact nearest regional office

Northwest - Meadville	814-332-6890
North Central - Montoursville	570-433-2640
Northeast- Tunkhannock	570-836-2181
Southwest – Greensburg	724-832-1073
Southwest Central - Martinsburg	814-793-1849
Southeast Central - Harrisburg	717-346-3223
Southeast - Creamery	610-489-1003
Seasonal Farm Labor	717-787-4315
Market Development	717-783-8462
PA Preferred Program	717-705-9511
Food Safety	717-787-4315
Plant Industry - Pesticides	717-787-4843
Fruit and Vegetable Inspection	717-787-4315
Farmers' Market Nutrition Program	717-772-2693
Ag Workforce Development	717-346-0426

Pennsylvania Department of Labor & Industry

General Information	717-787-5279
Workers' Compensation	800-482-2383
Right to Know	717-783-1826
Workforce Development	717-787-6521

Pennsylvania Vegetable Marketing and Research Program

717-694-3596

Pennsylvania Vegetable Growers Association

717-694-3596

***If you do not know who to call,
call PVGA at 717-694-3596
We can help find an answer.***



Pennsylvania Vegetable Growers Association

815 Middle Road
Richfield, Pennsylvania 17086-9205
717-694-3596
pvga@pvga.org
www.pvga.org

Change Service Requested



PRESORTED STANDARD
U.S. POSTAGE
PAID
HARRISBURG PA
PERMIT NO. 533



OUTSTANDING SEED COMPANY, LLC.®

B R E E D E R | P R O D U C E R

**NEW
FOR
2023**

Outstanding Seed is dedicated to innovation and exceptionalism in breeding, production, and sales of stacking pumpkin, specialty pumpkin, jack-o'-lantern, and mini pumpkin hybrids.

Over fifty hybrids are available to meet many different needs. Call today to place an order or request our 2023 Catalog.

Corn Cob F1

- Hard shell fruit are heavily covered with large warts.
- Unique beautiful bright caramel color.
- Average weight is 10 pounds.
- Moderate Powdery mildew resistance.
- FarMore® treated seed and untreated seed are both available.

P.O. Box 1584 | Beaver Falls, PA 15010 | 800.385.9254 | www.outstandingseed.com